

Quick Start Guide

Fronius Smart Meter 63A-3



[manuals.fronius.com/
html/4204260293](https://manuals.fronius.com/html/4204260293)

**FIND MORE
INFORMATION**



Technical Data - General	
Nominal voltage (4-conductor) / Operating range	230 V-400V / $\pm 15\%$
Nominal frequency / tolerance	50 - 60 Hz / 49 - 61 Hz
Nominal / Maximum current	10 A / 63 A
Powerfactor range (EN/IEC 62053-21, EN/IEC 62053-23)	aktiv $\cos\phi$ 0.5 ind to 0.8 cap / reaktiv $\sin\phi$ 0.5 ind to 0.5 cap
Permitted ambient temperature	from -25° to $+55^{\circ}\text{C}$
Mounting	DIN rail 35 mm
IP range (EN60529)	IP51 / IP20 (Front / Connections)

Communication	
Standard	RS485 - 3 conductors
Protocol	Modbus RTU
Min. softwareversion	Datamanager 3.7.2 / Fronius Symo Hybrid 1.3.3

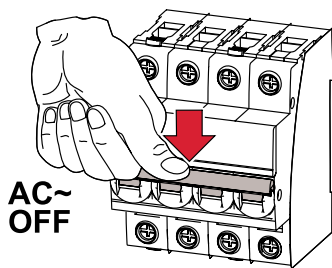
Screw Terminals	
Measuring input	1 - 16 mm ² rigid 1 - 10 mm ² flexible
Output (data communication / neutral line)	0,05 - 4 mm ² rigid / 0,05 - 2,5 mm ² flexible
Recommended torque	Measuring input: 1,2 Nm / max. 1,4 Nm Output: 0,5 Nm / max. 0,8 Nm

Detailed, country-specific warranty terms are available on: www.fronius.com/solar/warranty

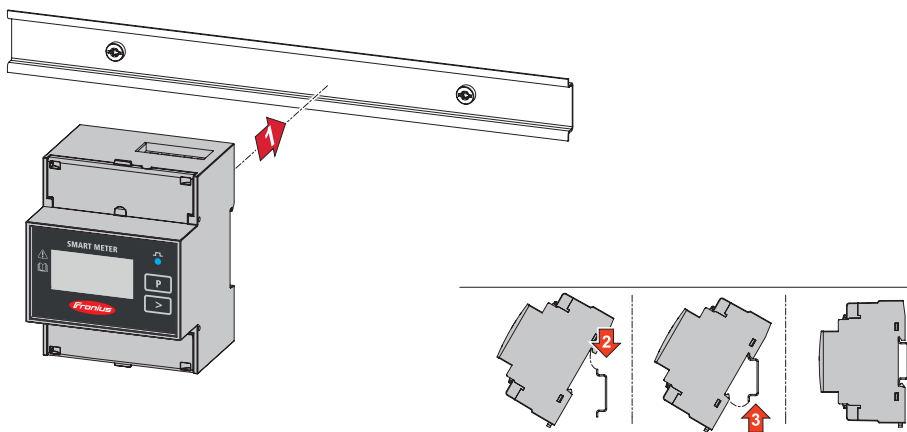
AC~

Mounting

1

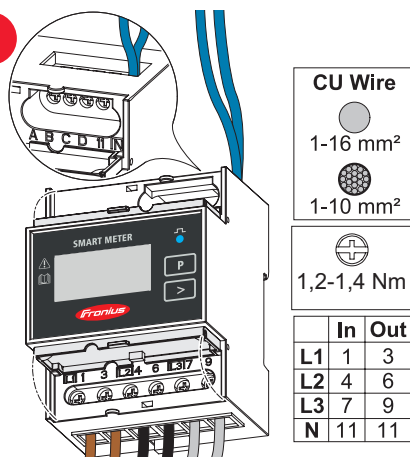


2

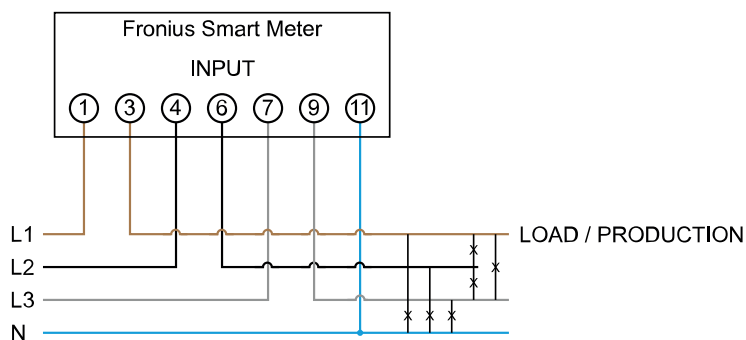


Power wiring

3

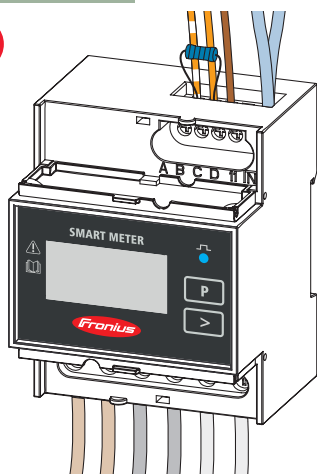


4



Data wiring

5



CU Wire	0,05-4 mm ²
	0,05-2,5 mm ²

	0,5-0,8 Nm
--	------------

120 Ω	Terminating Resistor
	A B

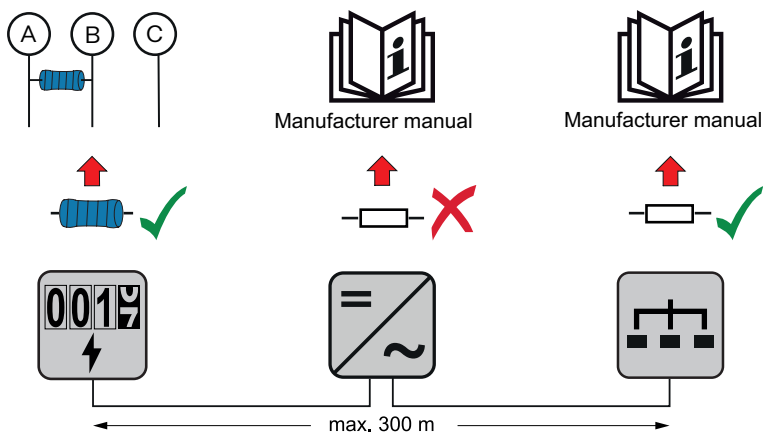
	SnapINverter
□	D+
□	D-
□	-

	Smart Meter
□	A
□	B
□	C

	GEN 24
□	M1+
□	M1-
□	GND

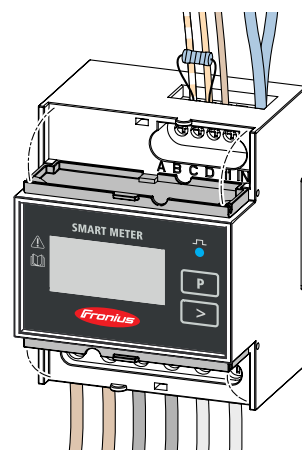
Terminating Resistor

6

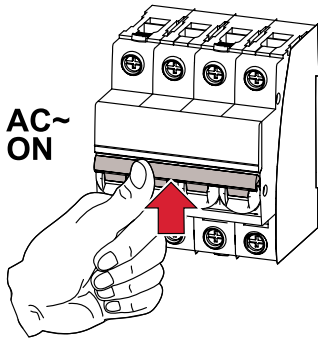


Close & Commissioning

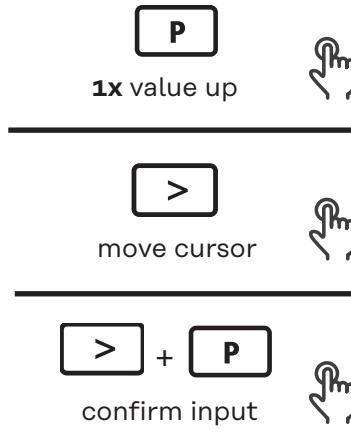
7



8

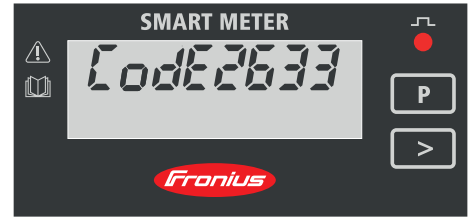


9



10

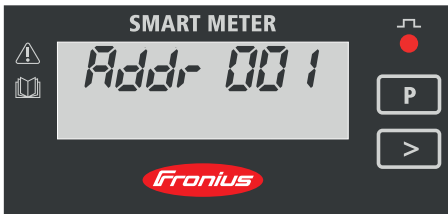
Set **P** / confirm **>** + **P**
password



Factory default: 2633

11

Set / confirm modbus address
(1-14)



Factory default: 001

12

